


PRODUCT SHEET

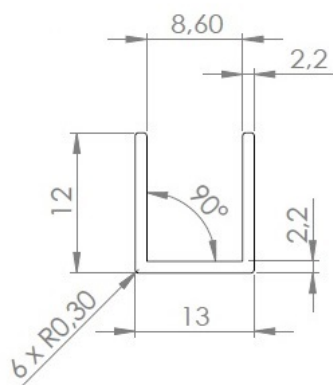
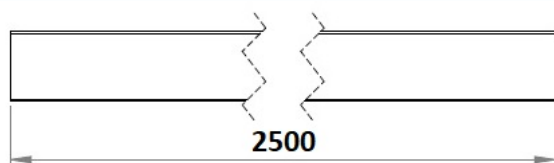
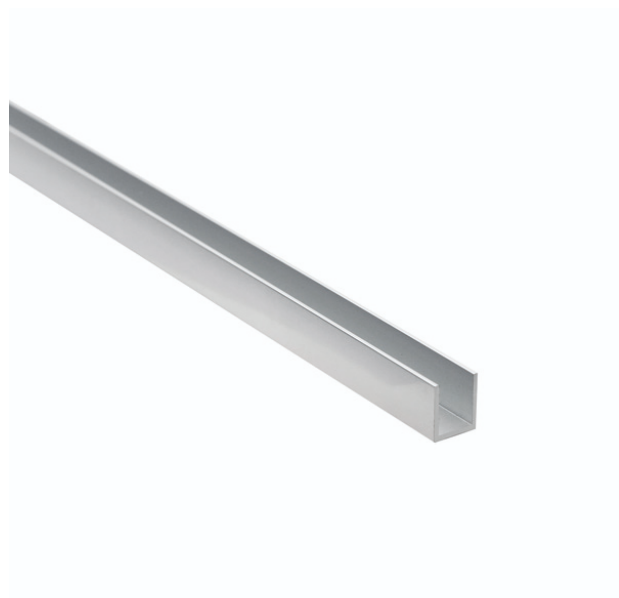
Description:

Alu. U-Channel, F/8mm Glass, Pol. Alu, 2,5 Mtr, 2,2x12x13mm (T/H/W)

Item number:

15.22.507-1

Units	Box	Carton	HS Code	Barcode
Pcs.	1	50	7604299090	
				5704866509077



SISO A/S

Mileparken 11
DK-2740 Skovlunde
Denmark
VAT: DK 24786013

Phone +45 45 830 900

www.siso.dk
siso@siso.dk

Danske Bank
Nytorv Branch
Copenhagen
SWIFT: DABADKKK

Account no.
4180 3112 112936
IBAN Account
DK7230003112112936